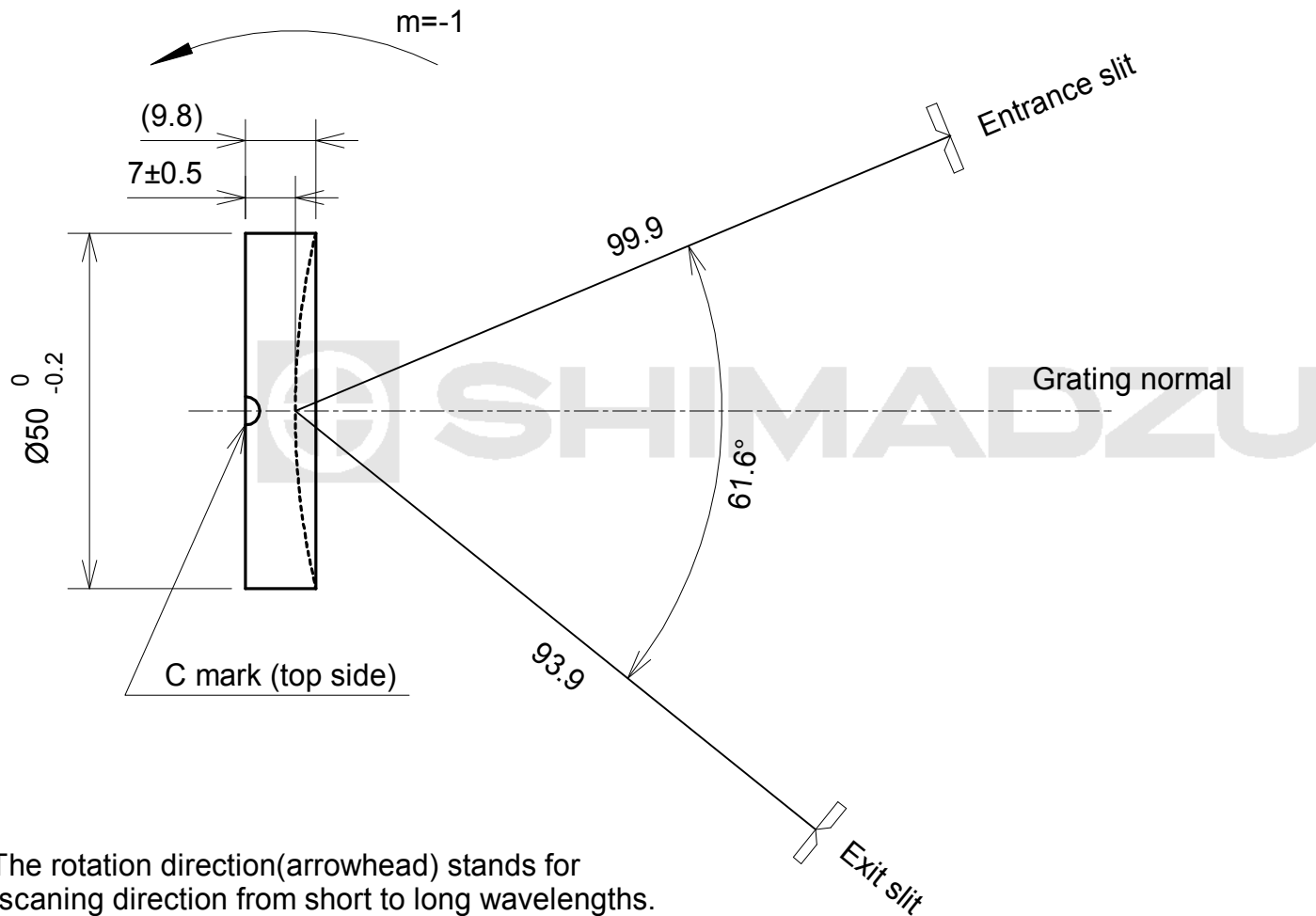


Code number	M1200-01
Groove density	1200grooves/mm
Wavelength range	200-800nm
Dimensions	Ø50mm
Central thickness	7mm



The rotation direction (arrowhead) stands for scanning direction from short to long wavelengths.

C mark : Indentation on rear side to indicate mounting direction