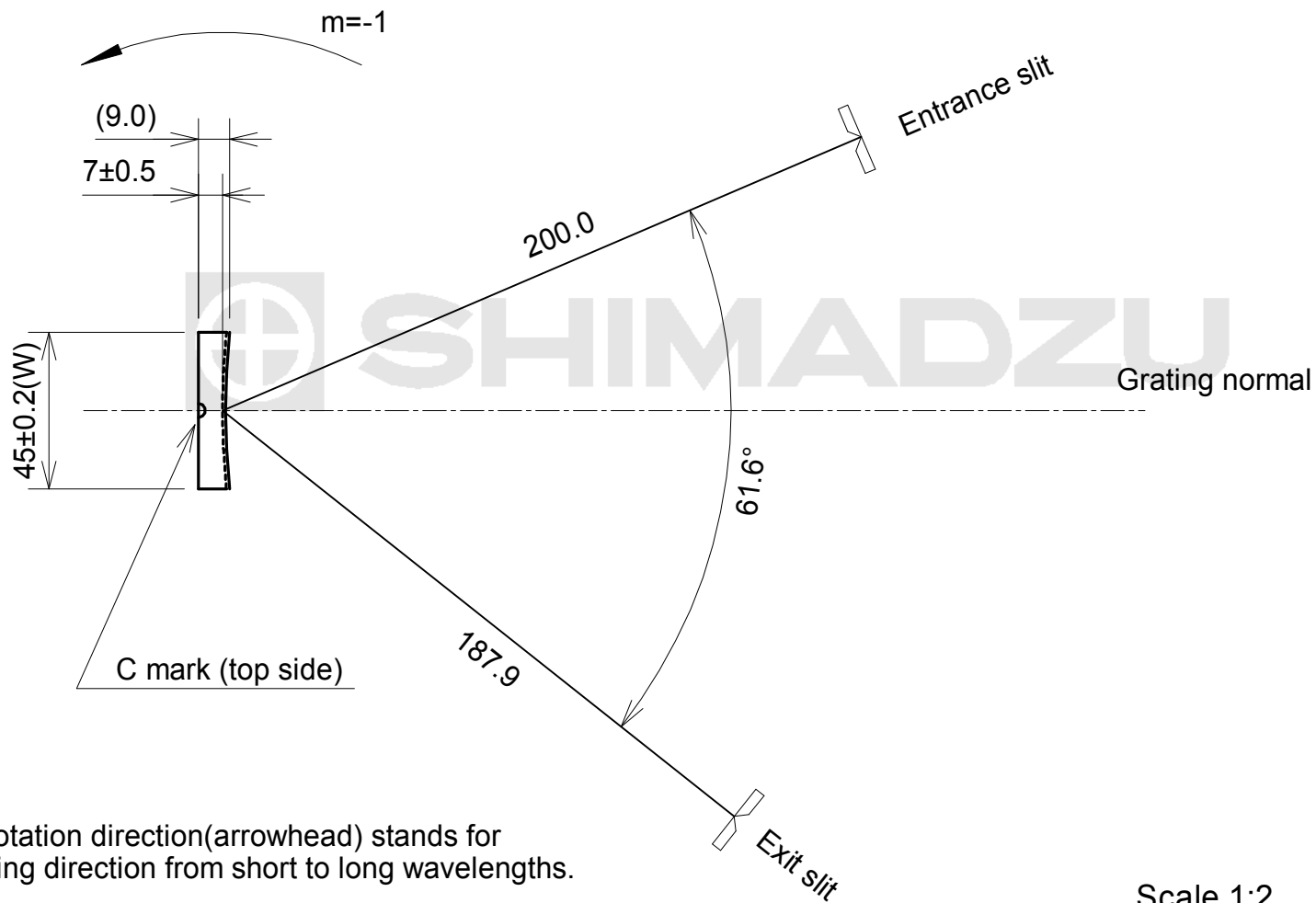


Code number M1200-04  
 Groove density 1200grooves/mm  
 Wavelength range 190-800nm  
 Dimensions 45(W)x40(H)mm  
 Central thickness 7mm



The rotation direction (arrowhead) stands for scanning direction from short to long wavelengths.

Scale 1:2