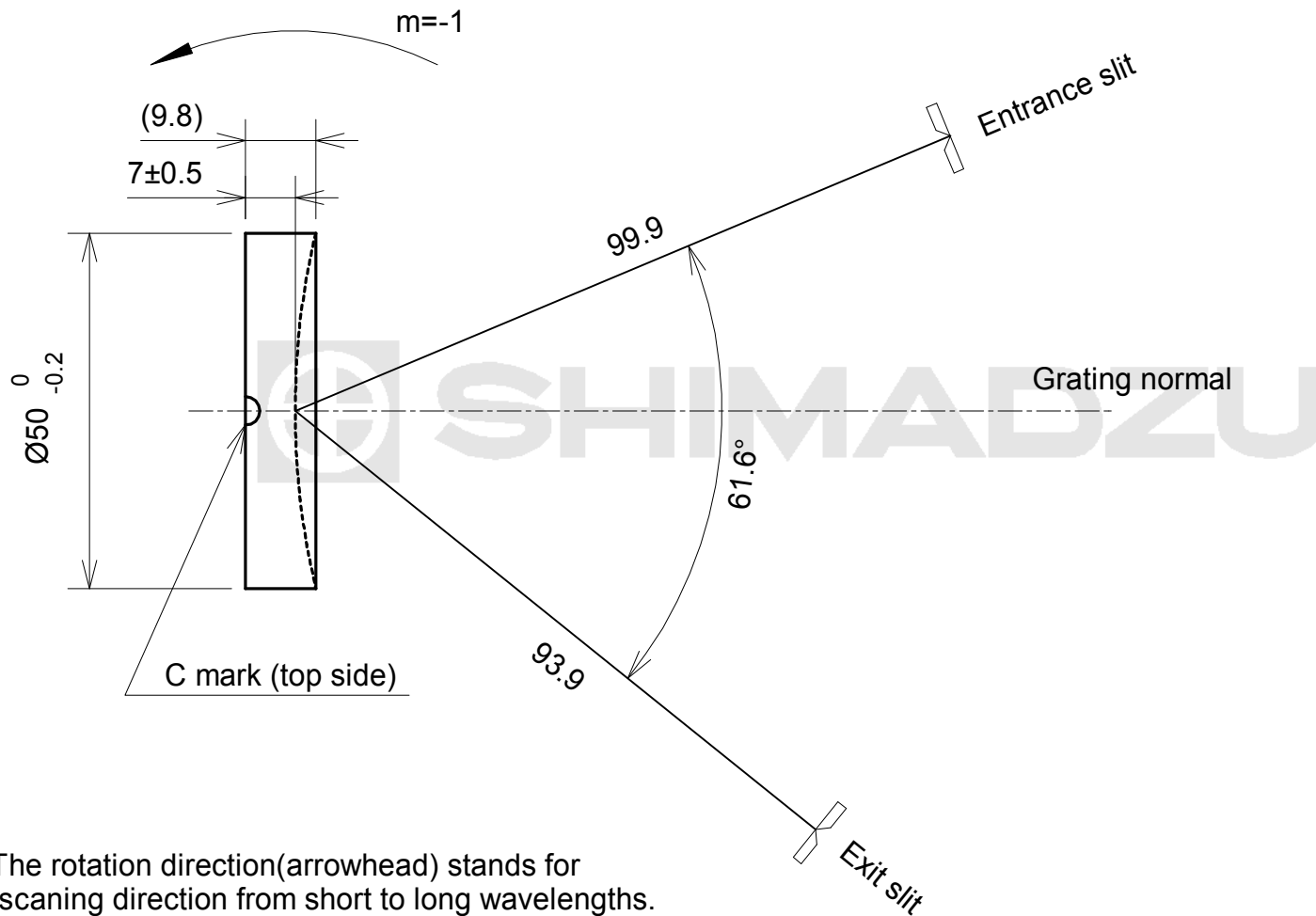


|                   |                |
|-------------------|----------------|
| Code number       | M1200-07       |
| Groove density    | 1200grooves/mm |
| Wavelength range  | 200-800nm      |
| Dimensions        | Ø50mm          |
| Central thickness | 7mm            |



The rotation direction (arrowhead) stands for scanning direction from short to long wavelengths.

C mark : Indentation on rear side to indicate mounting direction